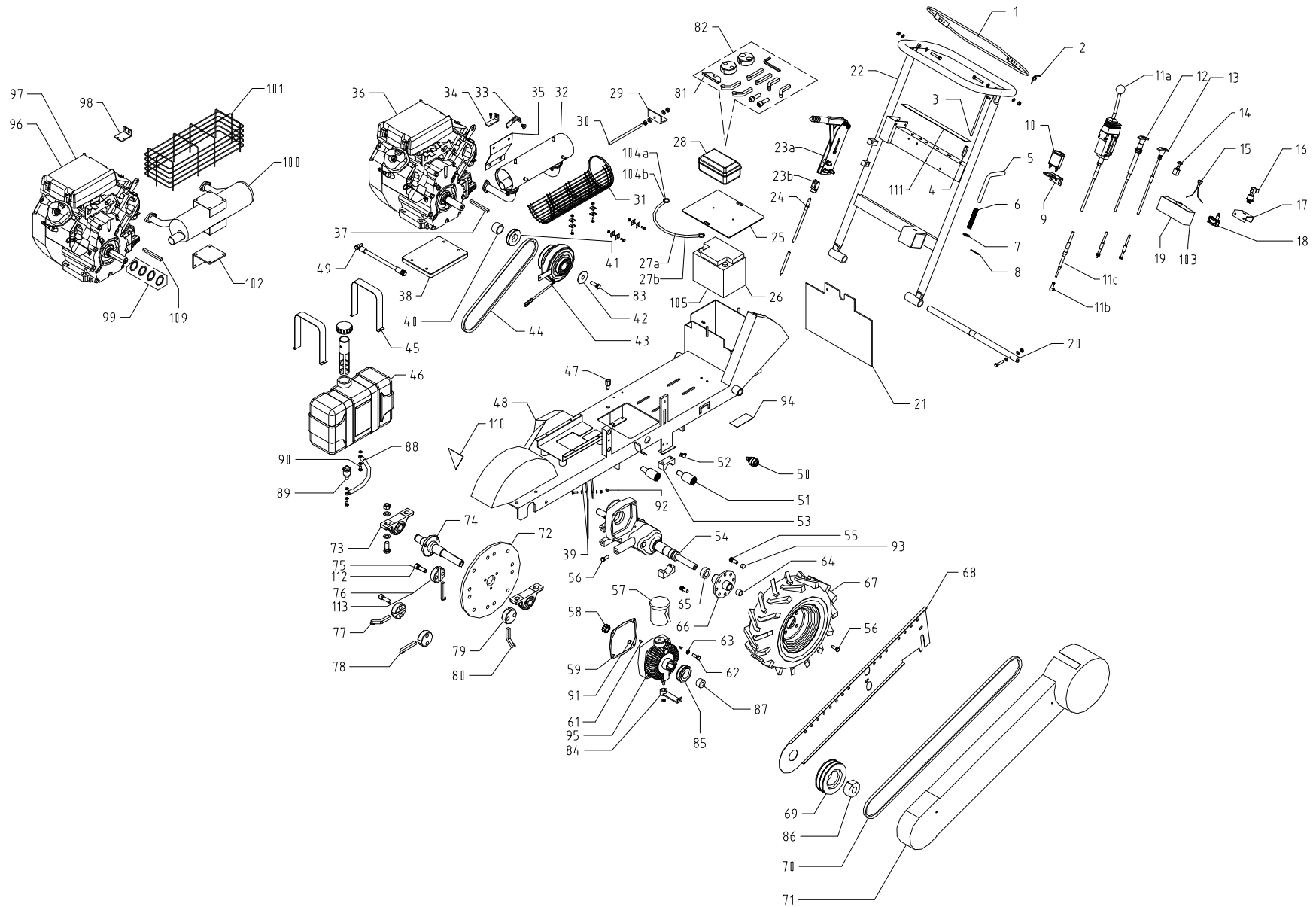


Stump-grinder SP Series



Stump-grinder SP Series



Pos.	Description	Q.ty	Code	Pos.	Description	Q.ty	Code
1	Command lever	1	000001	40	Engine shaft spacer (H)	1	000063
2	Spring for command lever	1	900001	41	Pulley 1 SPA 71	1	900066
3	Pin	1	000048	42	Retainer washer	1	000064
4	Nut extension	1	900047	43	Electric clutch	1	900067
5	Handlebar pin	1	000002	44	Belt A-32.5	1	900068
6	Spring for handlebar	1	900002	45	Fuel tank strap	2	000065
7	Washer Ø16x3	1	900003	46	Fuel tank	1	900069
8	Split pin R 2,5	1	900005	47	Nut extension	1	000066
9	Counter hour support	1	000049	48	Frame	1	000067
10	Counter hour	1	900048	49	Discharge oil piping	1	000068
11a	March command FORW./BACKW.	1	900049	50	Idler pump	1	000069
11b	Articulated joint M6	1	900050	51	Idler cutter disc	2	000007
11c	Cable for march command FWD/BWD	1	900586	52	Firm sheath	1	900070
12	Accelerator command	1	900051	53	Block stops pipes 1" 1/4	4	900071
13	Air command	1	900052	54	Complete differential group	1	900072
14	Emergency stop command	1	900053	55	Screw	8	900073
15	Supply light	1	900054	56	Screw 3/8 x 1" ¼ UNF	5	900074
16	Electrical clutch command ON / OFF	1	900055	57	Pump tank	1	900075
17	Command clutch support	1	000050	58	Pinion Z-12	1	900076
18	Safety switch for command lever	1	900056	59	Pump seal	1	900077
19	Block key starter (H)	1	900057	61	Key	3	900079
20	Pin for hinge handlebar	1	000005	62	Screw TE 3/8 x 3" UNF	4	900035
21	Rear protection rubber	1	000051	63	Grower washer 3/8	4	900080
22	Handlebar	1	000052	64	Spacer H=18	1	000070
23a	Complete brake lever	1	900058	65	Hub spacer	3	000071
23b	Fork	1	900059	66	Wheel hub	2	000072
24	Brake lever cable	1	900060	67	Wheel	2	900081
25	Battery box cover	1	000053	68	Cover	1	000073
26	Battery (H)	1	900061	69	Pulley 2 SPB 140	1	900082
27a	Battery cable + (H)	1	000054	70	Belt A-90	2	900083
27b	Battery cable – (H)	1	000055	71	Belt Cover	1	000074
28	Tools box	1	900006	72	Disc tools	1	000012
29	Angular rod engine adjustment	1	000056	73	Bearing UCP 206	2	900011
30	Engine rod adjustment	1	000057	74	Cutter disc shaft	1	000011
31	Muffler protection (H)	1	900062	75	Screw 5/8	8	900014
32	Complete muffler (H)	1	900063	76	Perforated block 5/8	4	000013
33	Accelerator plate stops cable (H)	1	000058	77	Left tool	2	900012
34	Air plate stops cable (H)	1	000059	78	Tool	4	900021
35	Muffler support (H)	1	000060	79	Threaded block 5/8	4	000010
36	Engine Honda GX 670	1	900064	80	Right tool	2	900013
37	Engine key	1	900065	81	Tools adjustment plate	1	000016
38	Adapter plate (H)	1	000061	82	Spares kit	1	000082
39	Front rubber protection	1	000062	83	Screw 5/8 UNF (H)	1	900084

Stump-grinder SP Series



Pos.	Description	Q.ty	Code
84	Pump command lever	1	000075
85	Pulley 1 SPA 71	1	900085
86	Bush Ø30	1	900086
87	Bush Ø17	1	900087
88	Petrol pipe	1	000076
89	Petrol filter	1	900088
90	Special screw TE	2	900089
91	Circlip Ø17	1	900090
92	Key 6 mm	2	900091
93	Nut	8	900092
94	Serial number decal	1	000029
95	Pump	1	900093
96	Kohler engine 20 HP	1	900094
97	Kohler engine 27 HP	1	900095
98	Plate stops cable (K)	1	000077
99	Spacer PS Ø37x1	4	900096
100	Muffler (K)	1	900097
101	Muffler protection (K)	1	900098
102	Muffler support (K)	1	000078
103	Block key starter (K)	1	900099
104a	Battery cable + (K)	1	000079
104b	Battery cable - (K)	1	000080
105	Battery (K)	1	900100
106	Screw UNF	1	900101
107	Air filter 20 HP	1	900102
108	Air filter 27 HP	1	900103
109	Engine key (K)	1	900104
110	Decal	1	000034
111	Decal	1	000081
112	Screw M16x1,5	8	900579
113	Threaded block M16x1,5	4	000755